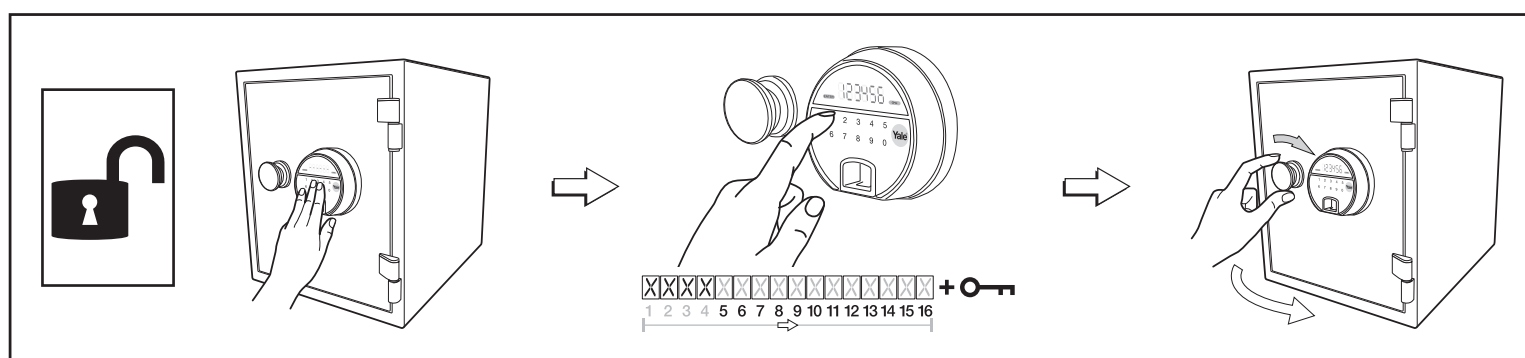
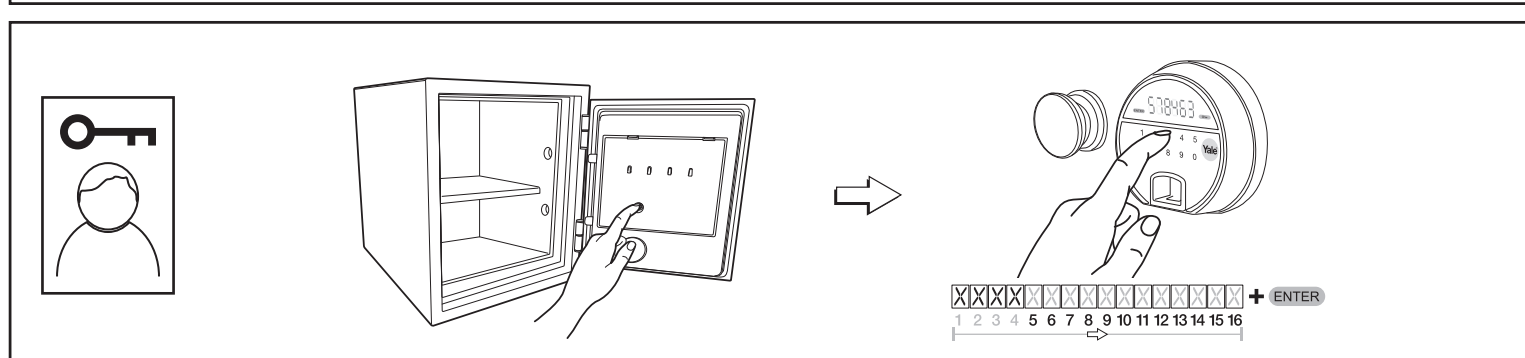


4 x "AA"
(1.5V LR06)

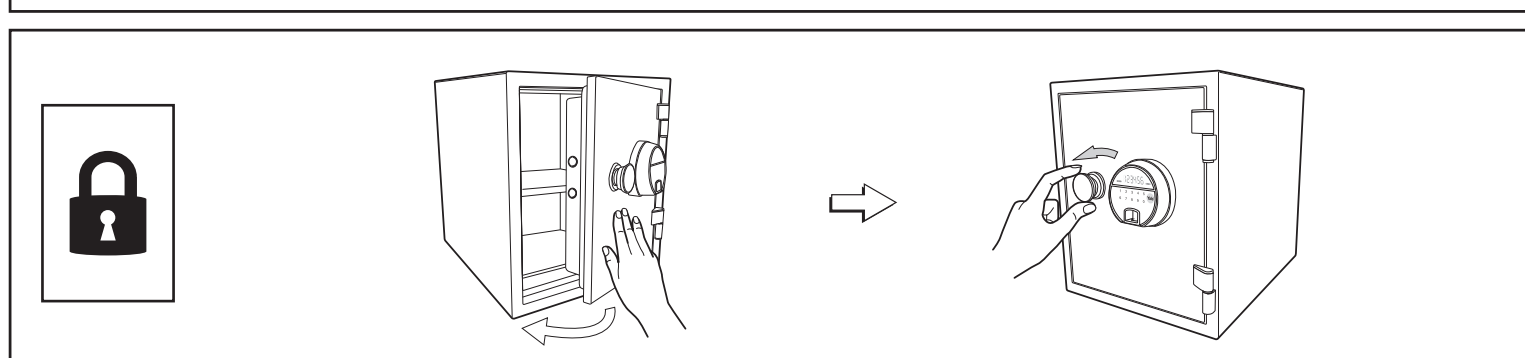
- Installing the batteries
- 安装电池



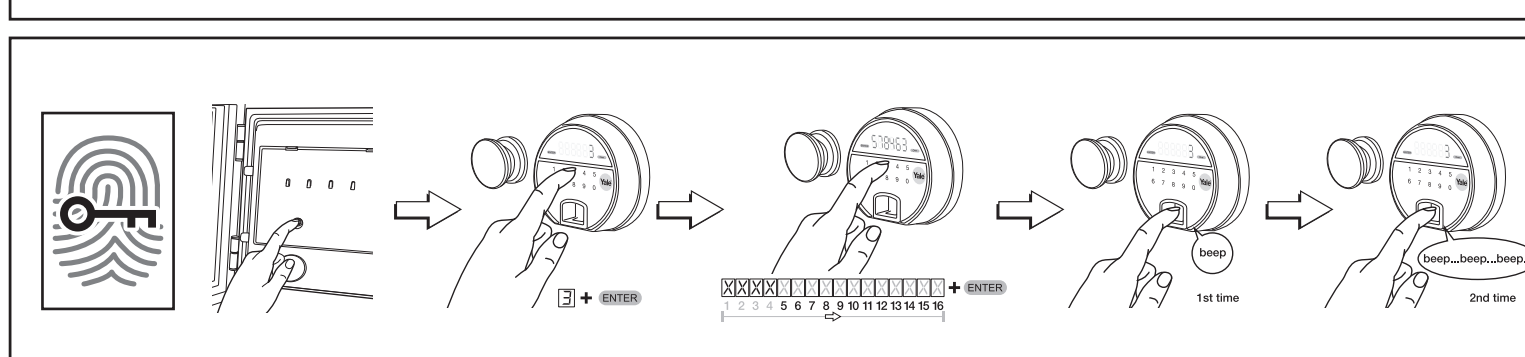
- Unlocking the safe with user code
- 以用户密码开启保险箱



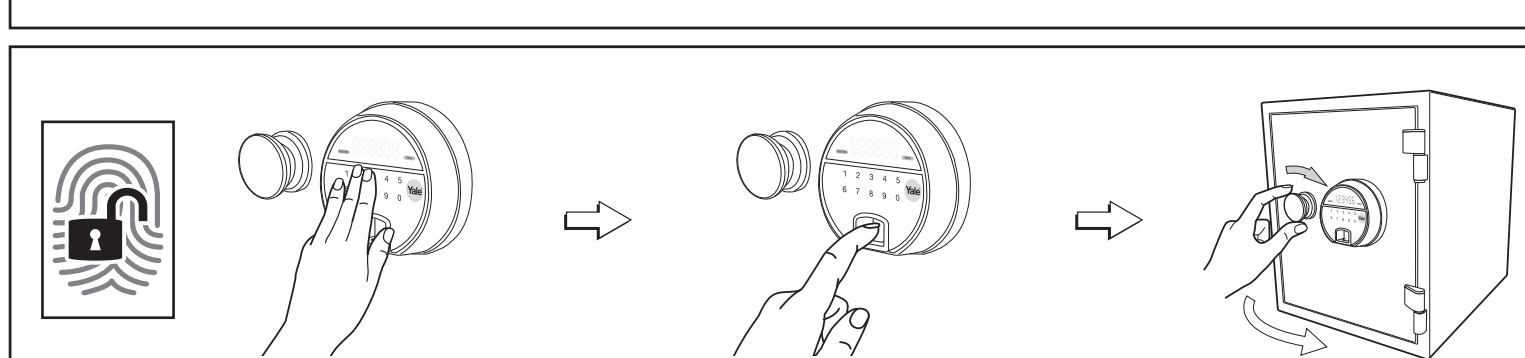
- Setting user code
- 设定用户密码



- Locking the safe
- 保险箱上锁



- Registering new finger print
- 注册新指纹



- Unlocking the safe with finger print
- 以指纹开启保险箱

- Deleting registered finger prints, all finger prints will be erased
- 删除已注册指纹, 所有指纹将被同时删除

- Setting and activating dual user codes
- 设定及激活双密码模式

- Unlocking the safe by dual user codes (Finger Print is deactivated under dual user codes mode)
- 以双密码模式开启保险箱(在双密码模式下, 指纹会被暂停使用)

- Scramble code A scramble number input enables personal codes to be hidden within longer sequences of numbers. The scramble number can be used either before or after the user code.
- 保安乱码输入: 乱码输入功能可以把用户密码隐藏在乱码之中以保障私隐. 用户可以在用户密码前后加上乱码.

- Digit and sound on/off
- 开启/关闭数字显示及提示音

- Setting alarm Alarm needs to be set again after each time unlocking the safe
- 设定警报: 注意在每次开锁后需要重新设定